

## EX129IR-SW SERIES

EXPLOSION PROOF GRIDLESS THERMAL CAMERA HOUSING

**HAZARDOUS AREA**

### THE ONLY CERTIFIED GRIDLESS SOLUTION FOR HAZARDOUS AREAS APPLICATIONS

AISI316L STAINLESS STEEL CONSTRUCTION  
**GRIDLESS** GERMANIUM WINDOW  
 FOR USE IN HIGHLY CORROSIVE ENVIRONMENTS  
 WEATHERPROOF STANDARD IP66/IP67  
 AVAILABLE FOR CUSTOMER SPECIFIED THERMAL CAMERAS  
 FOR ANALOG AND IP CAMERAS  
 SUITABLE FOR DIRECT OPTICAL FIBER CONNECTION



**EX129IR-SW-C2S** GRIDLESS GERMANIUM WINDOW CAMERA HOUSING

## TECHNICAL SPECIFICATIONS

### GENERAL & MECHANICAL

<b>Dimensions</b>	See drawings next page
<b>Operating Temperature</b>	-20° +75° C (-4° +167° F)
<b>Construction</b>	AISI316L Stainless Steel
<b>Finish</b>	Electro-polished
<b>Mounting</b>	4x M5 on 101,6 PCD 4x M6 on 90x130
<b>Cable entries</b>	2x M25x1,5 cable entries

*Up to 4x M25x1,5 or up to 4x M20x1,5 cable entries available upon request*

Weight Model	Unit [kg]	Package [kg]
EX129IR-SW-C2S	10	11
EX129IR-SW-C2M	12	13
EX129IR-SW-C2L	13,5	14,5

### ELECTRICAL

<b>Thermostatically controlled heater</b>	
<b>T[°C] ON</b>	= 12 ± 4°C, <b>T[°C] OFF</b> = 20 ± 3°C
<b>Available voltages</b>	24V~, 230V~ (+/-10%)
<b>Max power consumption</b>	25W

### CERTIFICATIONS

<b>Ingress Protection Rating</b>	EN 60529 (IP66/IP67) Ⓜ II 2 G Ex db op pr IIC T6 Gb -40°C ≤ Tamb ≤ +60°C Ⓜ II 2 D Ex tb IIIC T85°C Db -40°C ≤ Tamb ≤ +60°C Ⓜ II 2 G Ex db op pr IIB T5 Gb -40°C ≤ Tamb ≤ +75°C Ⓜ II 2 D Ex tb IIIC T100°C Db -40°C ≤ Tamb ≤ +75°C
<b>ATEX Standards</b>	EN 60079-0:2012; EN 60079-1:2014; EN 60079-28:2015; EN 60079-31:2014
<b>IECEx Standards</b>	IEC 60079-0:2011; IEC 60079-1:2014-06; IEC 60079-28:2015; IEC 60079-31:2013
<b>EMC</b>	EN 61000-6-3:2007; EN 50130-4:1995 + A1:1998 + A2:2003
<b>LVD</b>	EN 60950-1:2006 + A11:2009
<b>RoHS</b>	2011/65/EU
<b>WEEE</b>	2012/19/EU

### MODELS

<b>EX129IR-SW-C2S/24<sup>1</sup></b>	Housing (L=250mm), Germanium window WITHOUT protective grid
<b>EX129IR-SW-C2M/24<sup>1</sup></b>	Housing (L=375mm), Germanium window WITHOUT protective grid
<b>EX129IR-SW-C2L/24<sup>1</sup></b>	Housing (L=500mm), Germanium window WITHOUT protective grid

*24V~ models. Suffix /230 is used for 230V~ models. All EX129IR models include sunshield and heater.*

<sup>1</sup> Usable front window diameter: 50 mm (Germanium with Hard Carbon Coating).

### PRE-ASSEMBLED CONDUIT/CABLE TAILS

<b>EXCTN25AN3</b>	3 metres 25mm analog conduit tail + 2x M25 nickel plated brass glands
<b>EXCTN25AN5</b>	5 metres 25mm analog conduit tail + 2x M25 nickel plated brass glands
<b>EXCTN25AN10</b>	10 metres 25mm analog conduit tail + 2x M25 nickel plated brass glands
<b>EXCTN25IP3</b>	3 metres 25mm Ethernet conduit tail + 2x M25 nickel plated brass glands
<b>EXCTN25IP5</b>	5 metres 25mm Ethernet conduit tail + 2x M25 nickel plated brass glands
<b>EXCT25IP10</b>	10 metres 25mm Ethernet conduit tail + 2x M25 nickel plated brass glands
<b>EXACCTF3</b>	3 meters armoured composite cable tail + 2x M25 barrier nickel plated brass glands
<b>EXACCTF5</b>	5 meters armoured composite cable tail + 2x M25 barrier nickel plated brass glands
<b>EXACCTF10</b>	10 meters armoured composite cable tail + 2x M25 barrier nickel plated brass glands

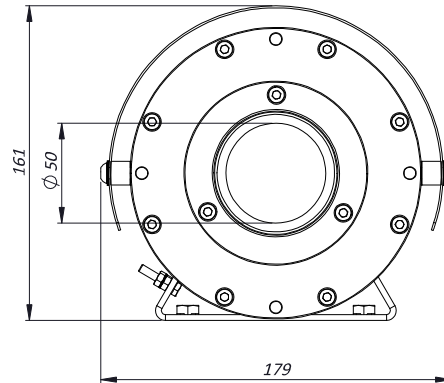
### MOUNTING ACCESSORIES

<b>EXSSBK129</b>	Wall mounting bracket with swivel joint
<b>EXSSPM129</b>	Pole mount adapter
<b>EXSSPTM129</b>	Pole top mount adapter

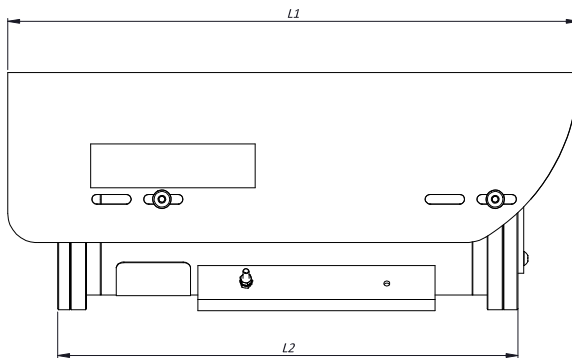
## STAINLESS STEEL GRIDLESS CAMERA HOUSING

### DIMENSIONS

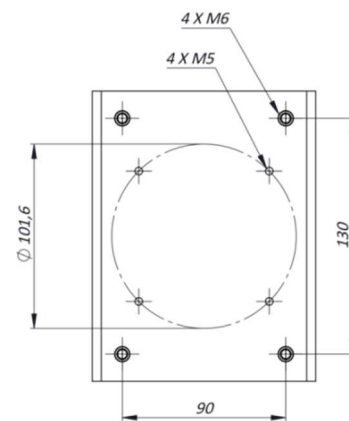
EX129IR-SW FRONT VIEW



SIDE VIEW



MOUNTING PATTERN



### MAX EXTERNAL LENGTH

Model	L1 [mm]	L2 [mm]
EX129IR-SW-C2S	385	311
EX129IR-SW-C2M	510	434
EX129IR-SW-C2L	630	557

### MAX INTERNAL USABLE AREA

Model	Max internal dimensions [mm]	Max usable internal diameter [mm]
EX129IR-SW-C2S	80x80x160	95
EX129IR-SW-C2M	80x80x283	95
EX129IR-SW-C2L	80x80x406	95

*Please contact us if bigger cameras/zoom lenses are needed.*

*Please contact us in case the camera dimensions are near to the max internal usable dimension in order to develop a custom fitting solution.*