

TECNOVIDEO

CCTV SYSTEMS AND ACCESSORIES

EX129IR SERIES

STAINLESS STEEL THERMAL CAMERA HOUSING



HAZARDOUS AREA

THE CERTIFIED SOLUTION THAT YOU CAN USE WITH YOUR OWN CAMERAS!

AISI316L STAINLESS STEEL CONSTRUCTION
FOR USE IN HIGHLY CORROSIVE ENVIRONMENTS
GERMANIUM OR SAPPHIRE WINDOW VERSION
WEATHERPROOF STANDARD IP66/IP67
AVAILABLE FOR CUSTOMER SPECIFIED THERMAL CAMERAS
SUITABLE FOR ANALOG AND IP CAMERAS
SUITABLE FOR DIRECT OPTICAL FIBER CONNECTION



EX129IR-C2S GERMANIUM WINDOW CAMERA HOUSING

TECHNICAL SPECIFICATIONS

GENERAL & MECHANICAL

Dimensions	See drawings next page
Operating Temperature	-20° +75°C (-4° +167° F)
Construction	AISI316L Stainless Steel
Finish	Electro-polished
Mounting	4x M5 on 101,6 PCD 4x M6 on 90x130
Cable entries	2x M25x1,5 cable entries

Up to 4x M25x1,5 or up to 4x M20x1,5 cable entries available upon request

Weight Model	Unit [kg]	Package [kg]
EX129IR-C2S/EX129IRS-C2S	10	11
EX129IR-C2M/EX129IRS-C2M	12	13
EX129IR-C2L/EX129IRS-C2L	13,5	14,5

ELECTRICAL

Thermostatically controlled heater	
T[°C] ON	= 12 ± 4°C, T[°C] OFF = 20 ± 3°C
Available voltages	24V~, 230V~ (+/-10%)
Max power consumption	25W

CERTIFICATIONS

Ingress Protection Rating	EN 60529 (IP66/IP67) ⊕ II 2 G Ex db op pr IIC T6 Gb -40°C ≤ Tamb ≤ +60°C ⊕ II 2 D Ex tb IIIC T85°C Db -40°C ≤ Tamb ≤ +60°C ⊕ II 2 G Ex db op pr IIB T5 Gb -40°C ≤ Tamb ≤ +75°C ⊕ II 2 D Ex tb IIIC T100°C Db -40°C ≤ Tamb ≤ +75°C
ATEX Standards	EN 60079-0:2012; EN 60079-1:2014; EN 60079-28:2015; EN 60079-31:2014
IECEx Standards	IEC 60079-0:2011; IEC 60079-1:2014-06; IEC 60079-28:2015; IEC 60079-31:2013
EMC	EN 61000-6-3:2007; EN 50130-4:1995 + A1:1998 + A2:2003
LVD	EN 60950-1:2006 + A11:2009
RoHS	2011/65/EU
WEEE	2012/19/EU

MODELS

EX129IR-C2S/24¹	Housing (L=250 mm), Germanium window with protective grid
EX129IR-C2M/24¹	Housing (L=375 mm), Germanium window with protective grid
EX129IR-C2L/24¹	Housing (L=500 mm), Germanium window with protective grid
EX129IRS-C2S/24²	Housing (L=250 mm), Sapphire window with protective grid for MWIR thermal cameras
EX129IRS-C2M/24²	Housing (L=375 mm), Sapphire window with protective grid for MWIR thermal cameras
EX129IRS-C2L/24²	Housing (L=500 mm), Sapphire window with protective grid for MWIR thermal cameras

24V~ models. Suffix /230 is used for 230V~ models. All EX129IR models include sunshield and heater.

¹ Usable front window diameter: 50 mm (Germanium with Hard Carbon Coating).

² Usable front window diameter: 50 mm (Sapphire).

PRE-ASSEMBLED CONDUIT/CABLE TAILS

EXCTN25AN3	3 metres 25mm analog conduit tail + 2x M25 nickel plated brass glands
EXCTN25AN5	5 metres 25mm analog conduit tail + 2x M25 nickel plated brass glands
EXCTN25AN10	10 metres 25mm analog conduit tail + 2x M25 nickel plated brass glands
EXCTN25IP3	3 metres 25mm Ethernet conduit tail + 2x M25 nickel plated brass glands
EXCTN25IP5	5 metres 25mm Ethernet conduit tail + 2x M25 nickel plated brass glands
EXCTN25IP10	10 metres 25mm Ethernet conduit tail + 2x M25 nickel plated brass glands
EXACCTF3	3 meters armoured composite cable tail + 2x M25 barrier nickel plated brass glands
EXACCTF5	5 meters armoured composite cable tail + 2x M25 barrier nickel plated brass glands
EXACCTF10	10 meters armoured composite cable tail + 2x M25 barrier nickel plated brass glands

MOUNTING ACCESSORIES

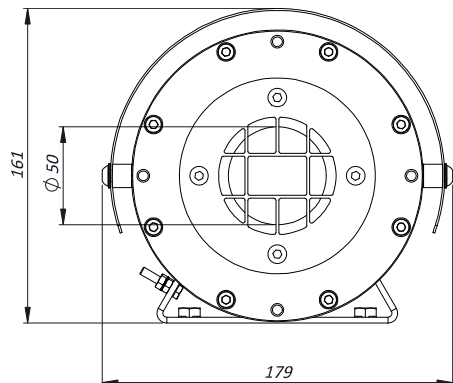
EXSSBK129	Wall mounting bracket with swivel joint
EXSSPM129	Pole mount adapter
EXSSPTM129	Pole top mount adapter

www.tecnovideocctv.com

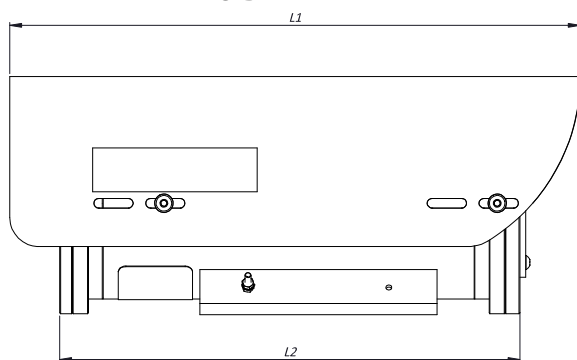
Tecnovideo S.r.l. - Via A. De Gasperi, 3 36030 Villaverla (VI) ITALY - Tel. +39.0445.350444 - info@tecnovideocctv.com

DIMENSIONS

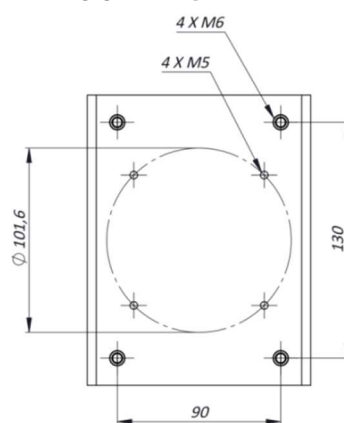
EX129IR FRONT VIEW



SIDE VIEW



MOUNTING PATTERN



MAX EXTERNAL LENGTH

Model	L1 [mm]	L2 [mm]
EX129IR-C2S/EX129IRS-C2S	385	311
EX129IR-C2M/EX129IRS-C2M	510	434
EX129IR-C2L/EX129IRS-C2L	630	557

MAX INTERNAL USABLE AREA

Model	Max internal dimensions [mm]	Max usable internal diameter [mm]
EX129IR-C2S/EX129IRS-C2S	80x80x160	95
EX129IR-C2M/EX129IRS-C2M	80x80x283	95
EX129IR-C2L/EX129IRS-C2L	80x80x406	95

Please contact us if bigger cameras/zoom lenses are needed.

Please contact us in case the camera dimensions are near to the max internal usable dimension in order to develop a custom fitting solution.