

TECNOVIDEO

CCTV SYSTEMS AND ACCESSORIES

129 SERIES

STAINLESS STEEL CAMERA STATION

SAFE AREA

AISI316L STAINLESS STEEL CONSTRUCTION
FOR USE IN HIGHLY CORROSIVE ENVIRONMENTS
EASY INSTALLATION AND MAINTENANCE
INTEGRATED WIPER VERSION AVAILABLE
WEATHERPROOF STANDARD IP66/IP67
SUITABLE FOR ANALOG AND IP CAMERAS
DAY/NIGHT AND IR THERMAL VERSIONS AVAILABLE
REFINED AND MODERN DESIGN



129WW CAMERA HOUSING WITH SUNSHIELD, HEATER AND WIPER

TECHNICAL SPECIFICATIONS

GENERAL & MECHANICAL

Dimensions	See drawings next page
Operating Temperature	-20° +75°C (-4° +167°F)
Construction	AISI316L Stainless Steel
Finish	Electro-polished
Mounting	See drawings next page
Cable entries	2x M20x1,5 nickel plated brass cable glands (included) Standard cable diameter 5-10mm

Weight Model	Unit [kg]	Package [kg]
129/129IR	6	7
129-L/129IR-L	6,5	7,5
129SH/129SHIR	7	8
129SH-L/129SHIR-L	8	9
129WW/129WWIR	7	8
129WW-L/129WWIR-L	8	9
129AB/129ABIR70	7	8

ELECTRICAL

Thermostatically controlled heater	
T[°C] ON = 12 ± 4°C, T[°C] OFF = 20 ± 3°C	
Available voltages	24VUC (24V~/V=), 230V~ (+/-10%)
Power consumption	10W

Wiper	
Available voltages	24V~, 230V~, 24V= (+/-10%)
Power consumption	6W (24V~, 230V~) 4W (24V=)

CERTIFICATIONS

Ingress Protection(EN 60529)	IP66/IP67 for all models IP68 for models without wiper
EMC	EN 61000-6-3:2007; EN 50130-4:1995 + A1:1998 + A2:2003
LVD	EN 60950-1:2006 + A11:2009
RoHS	2011/65/EU
WEEE	2012/19/EU

MODELS

129¹	Housing
129SH/24¹	Housing + sunshield + heater. Supply voltage: 24VUC
129WW/24^{2*}	Housing + sunshield + heater + integrated wiper. 24V~
129WW/24D^{3*}	Housing + sunshield + heater + integrated wiper. 24V=
129AB^{3**}	Housing + air barrier front flange
129IR50⁴	Housing. UW: 50
129SHIR50/24⁴	Housing + sunshield + heater. Supply voltage: 24VUC. UW: 50
129WWIR50/24^{4*}	Housing + sunshield + heater + integrated wiper. 24V~. UW: 50
129WWIR50/24D^{4*}	Housing + sunshield + heater + integrated wiper. 24V=. UW: 50
129IR70⁴	Housing. UW: 70
129SHIR70/24⁴	Housing + sunshield + heater. Supply voltage: 24VUC. UW: 70
129WWIR70/24^{4*}	Housing + sunshield + heater + integrated wiper. 24V~. UW: 70
129WWIR70/24D^{4*}	Housing + sunshield + heater + integrated wiper. 24V=. UW: 70
129ABIR70^{5*}	Housing + air barrier front flange. UW: 70

All the above models are 360mm long. Suffix /230 is used for 230V~ models.
Suffix -L is used for 460mm long models. Suffix -S is used for 260mm short models.

- ¹ Usable front window diameter: 90mm, thickness: 5mm
- ² Usable front window diameter: 72mm, thickness: 12mm. Tempered glass
- ³ Usable front window diameter: 70mm, thickness: 5mm. Tempered glass
- ⁴ UW= Usable front window diameter. Thickness: 2mm. Germanium, AR/DLC coating
- ⁵ UW= Usable front window diameter. Thickness: 3mm. Germanium, AR/DLC coating
- * 460mm long version is not available.
- [†] 260mm short version is not available.

MOUNTING ACCESSORIES

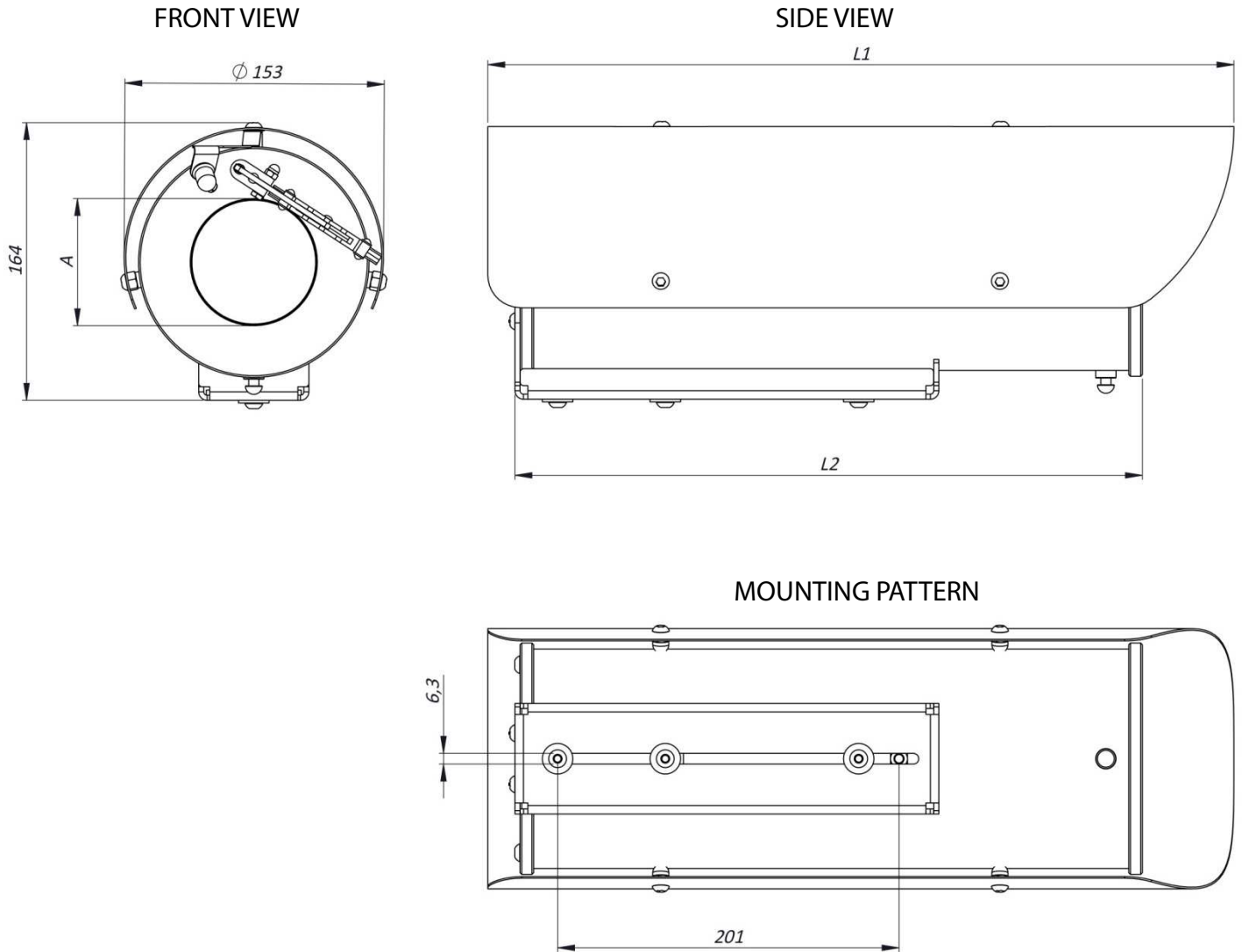
SSBK129	Wall mounting bracket with swivel joint for 129 Series
SSBK129CLN	Ceiling mounting bracket with swivel joint for 129 Series
SSPM129	Pole mount adapter for SSBK129
SSPTM129	Pole top mount adapter for 129 Series
SSCM129	Corner mount adapter for SSBK129

ACCESSORIES AND SPARE PARTS

RX24IO	Telemetry receiver for fixed wash/wiper housings
WB129	Wiper blade (complete assembly)
WBK129	Wiper blade (only spare part: rubber blade and support)
ABFL-01	Air filtering group of three filters: 20 µm, 5 µm, 0.1 µm in cascade, with pressure regulator, pressure gauge and wall fixing bracket
HK129/24	10W heater kit (24VUC)
HK129/230	10W heater kit (230V~)
MK129	Maintenance kit with O-ring seals, screws seals, screws, hex keys, desiccant bags

STAINLESS STEEL CAMERA STATION

DIMENSIONS



FOR "A" VALUES CHECK "MODELS" SECTION

MAX EXTERNAL LENGTH

Model	L1 [mm]	L2 [mm]
129SH/129SHIR	440	375
129SH-L/129SHIR-L	540	475
129WW/129WWIR	440	375
129WW-L/129WWIR-L	540	475
129AB/129ABIR70	440	395

MAX INTERNAL USABLE AREA

Model	Max internal dimensions [mm]	Max usable internal diameter [mm]
129/129AB/129ABIR/129SH/129SHIR	80x80x260	96
129SH-L/129SHIR-L	80x80x360	96
129WW/129WWIR	80x80x207	86
129WW-L/129WWIR-L	80x80x307	86